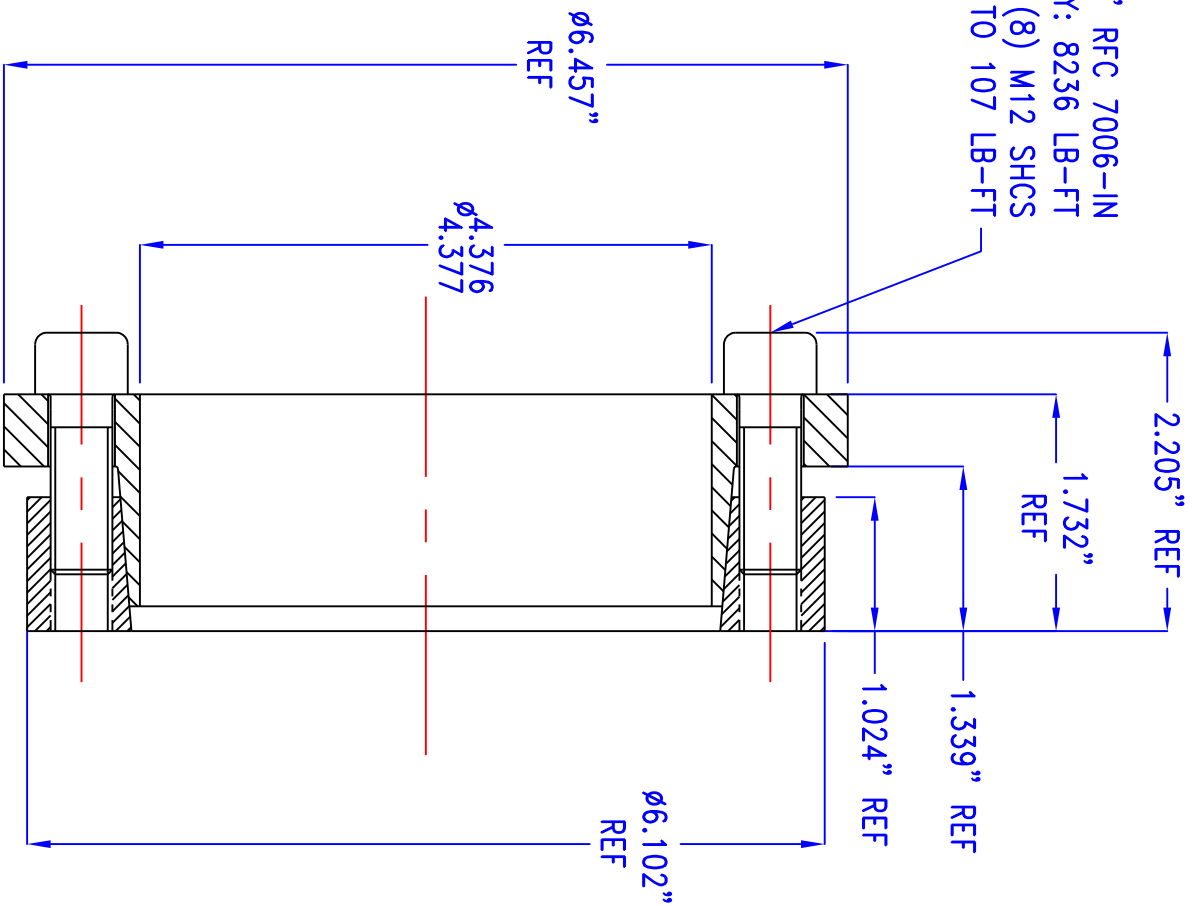


4 3/8" RFC 7006-IN
 TORQUE CAPACITY: 8236 LB-FT
 WITH (8) M12 SHCS
 TORQUED TO 107 LB-FT



CONTACT PRESSURES:
 SHAFT = 27287 PSI
 HUB = 19580 PSI
 TOLERANCE:
 SHAFT = +0 / -0.0025
 HUB = -0 / +0.0025

REV.	-	DESCRIPTION	-	DATE	-	APVD	-
REVISIONS							

This drawing and the information contained on it are confidential and proprietary, and any reproduction, distributions or disclosure of this drawing or information or any manufacturing of the products or parts depicted on it are expressly prohibited without the written consent of Ringfeder Corporation.

All function values, dimensions and technical data stated in our design proposals are based on proven methods of calculation, backed by our empirical values and therefore, apply to original RINGFEDER® products only.

UNLESS OTHERWISE SPECIFIED DIMENSIONS ARE IN INCHES. THOSE IN [] ARE IN mm
 DECIMALS FRACTIONS ANGLES
 .X = ±.015 ±1/64 ±.5°
 .XX = ±.010
 .XXX = ±.005
 SURFACE FINISH Ra = 125 OR BETTER

DRAWN: SEM DATE: 1/14/08
 CHECKED: DATE:
 APPROVED: DATE:

ITEM	DESCRIPTION	PART NO.	QTY	REMARKS
1	110 RFN 7006 LOCKING ASSEMBLY	7006-110	1	MACHINE BORE PER DRAWING

BILL OF MATERIAL



RINGFEDER

RINGFEDER CORP.
 WESTWOOD, NJ 07675

TITLE	4 3/8" RFC 7006-IN LOCKING ASSEMBLY			
SIZE	CAGE NO.	DRAWING NO.	REV	
A	60372	43-780-14007	-	
SCALE	NTS	PLOT SCALE	SHEET	
		1:1.5		