

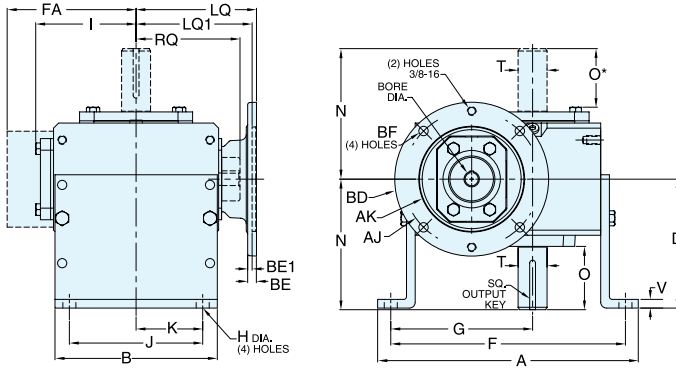


# SINGLE REDUCTION DIMENSIONS

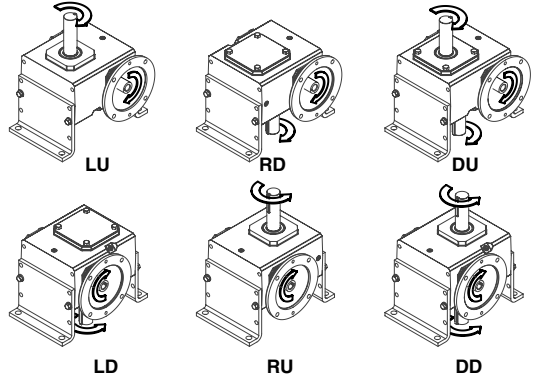


# OHIO GEAR™

## STYLE VHMQ



### ASSEMBLIES

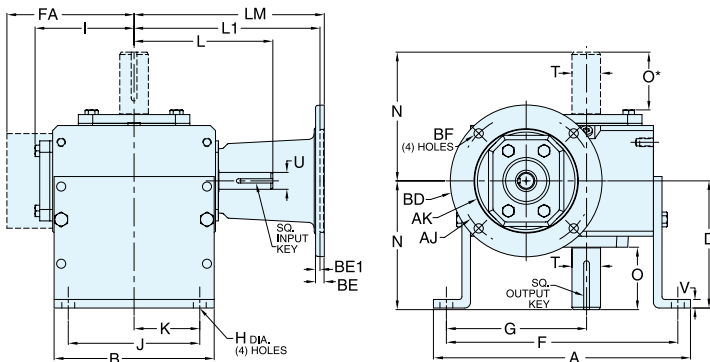


REVERSE ALL ARROWS FOR OPPOSITE INPUT SHAFT ROTATION. CONTACT FACTORY FOR OTHER MOUNTINGS OR ASSEMBLY POSITIONS.

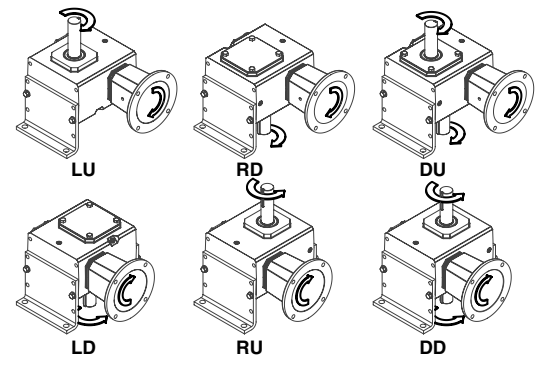
### STYLE VHMQ DIMENSIONS (Inches)

Series	A	B	D	F	G	H	I	J	K	N	O	O*	T +0.000 -0.0015	V	Output Key
813	7.26	4.00	3.56	6.50	3.86	0.38	2.61	3.00	1.50	4.00	2.16	1.94	0.625	0.25	3/16 X 1.38
815	7.88	5.00	4.38	7.00	4.28	0.44	3.14	4.00	2.00	4.31	2.11	1.90	0.750	0.25	3/16 X 1.38
818	8.25	5.00	4.38	7.37	4.50	0.44	3.24	4.00	2.00	4.31	2.05	1.84	0.875	0.25	3/16 X 1.38
820	9.38	6.00	4.88	8.38	5.09	0.50	3.61	4.88	2.44	4.68	2.29	2.08	1.000	0.38	1/4 X 1.44
824	9.94	6.00	5.25	8.94	5.44	0.50	3.77	4.88	2.44	5.14	2.06	2.44	1.125	0.38	1/4 X 1.44
826	11.24	7.00	5.56	10.12	6.12	0.56	4.34	5.75	2.88	5.63	2.73	2.52	1.125	0.38	1/4 X 1.44
830	12.50	8.00	5.88	11.13	6.75	0.56	4.84	6.00	3.00	6.75	3.60	3.36	1.250	0.38	1/4 X 1.56
832	13.00	8.50	6.25	11.88	7.13	0.56	5.02	6.13	3.06	7.06	3.66	3.42	1.375	0.38	3/8 X 2.50
842	16.26	10.00	7.50	14.88	8.69	0.69	6.10	7.88	3.94	8.12	4.50	4.21	1.875	0.50	1/2 X 2.50
852	19.62	13.00	9.16	18.00	10.88	0.78	7.50	10.00	5.00	9.06	4.78	4.53	2.000	0.50	1/2 X 2.50
860**	23.26	14.75	9.63	20.88	12.19	0.91	N/A	11.76	5.88	10.00	4.66	4.66	2.500	0.50	5/8 X 4.00

## STYLE VHM



### ASSEMBLIES



REVERSE ALL ARROWS FOR OPPOSITE INPUT SHAFT ROTATION. CONTACT FACTORY FOR OTHER MOUNTINGS OR ASSEMBLY POSITIONS.

### STYLE VHM DIMENSIONS (Inches)

Series	A	B	D	F	G	H	I	J	K	L	N	O	O*	T +0.000 -0.0015	U +0.000 -0.0015	V	Input Key	Output Key
813	7.26	4.00	3.56	6.50	3.86	0.38	2.61	3.00	1.50	3.82	4.00	2.16	1.94	0.625	0.500	0.25	1/8 X 1.00	3/16 X 1.38
815	7.88	5.00	4.38	7.00	4.28	0.44	3.14	4.00	2.00	4.35	4.31	2.11	1.90	0.750	0.625	0.25	3/16 X 1.38	3/16 X 1.38
818	8.25	5.00	4.38	7.37	4.50	0.44	3.24	4.00	2.00	4.45	4.31	2.05	1.84	0.875	0.625	0.25	3/16 X 1.38	3/16 X 1.38
820	9.38	6.00	4.88	8.38	5.09	0.50	3.61	4.88	2.44	4.82	4.68	2.29	2.08	1.000	0.625	0.38	3/16 X 1.38	1/4 X 1.44
824	9.94	6.00	5.25	8.94	5.44	0.50	3.77	4.88	2.44	5.51	5.14	2.66	2.44	1.125	0.750	0.38	3/16 X 1.63	1/4 X 1.44
826	11.24	7.00	5.56	10.12	6.12	0.56	4.34	5.75	2.88	6.07	5.63	2.73	2.52	1.125	0.750	0.38	3/16 X 1.63	1/4 X 1.44
830	12.50	8.00	5.88	11.13	6.75	0.56	4.84	6.00	3.00	6.57	6.75	3.60	3.36	1.250	0.875	0.38	3/16 X 1.63	1/4 X 1.56
832	13.00	8.50	6.25	11.88	7.13	0.56	5.02	6.13	3.06	6.76	7.06	3.66	3.42	1.375	0.875	0.38	3/16 X 1.63	3/8 X 2.50
842	16.26	10.00	7.50	14.88	8.69	0.69	6.10	7.88	3.94	9.57	8.12	4.50	4.21	1.875	1.250	0.50	1/4 X 2.50	1/2 X 2.50
852	19.62	13.00	9.16	18.00	10.88	0.78	7.50	10.00	5.00	10.88	9.06	4.78	4.53	2.000	1.250	0.50	1/4 X 3.00	1/2 X 2.50
860**	23.26	14.75	9.63	20.88	12.19	0.91	N/A	11.76	5.88	11.78	10.00	4.66	4.66	2.500	1.500	0.50	3/8 X 3.00	5/8 X 4.00