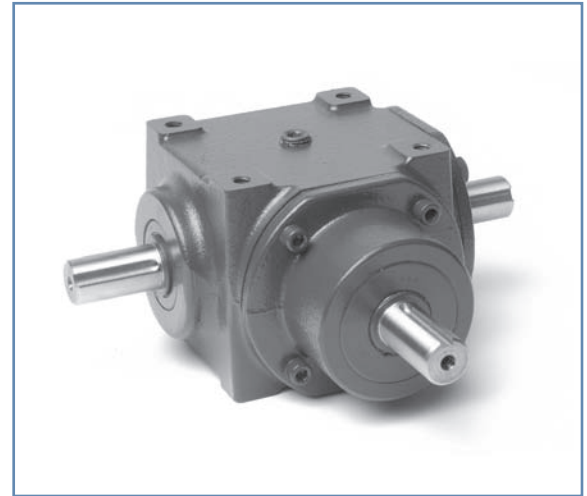




MODEL 44

FEATURES

- Rugged cast iron housing designed for rigid gear and bearing support.
- Alloy shafting for greater strength.
- Tapered roller bearings for endurance and strength.
- Choice of three (3) gear ratios.
- Heavy-duty industrial seals to keep lubricant in and dirt out.
- Universal mounting assures maximum design flexibility.
- Hub City lubricant recommended. (Refer to section R)



RATING TABLE

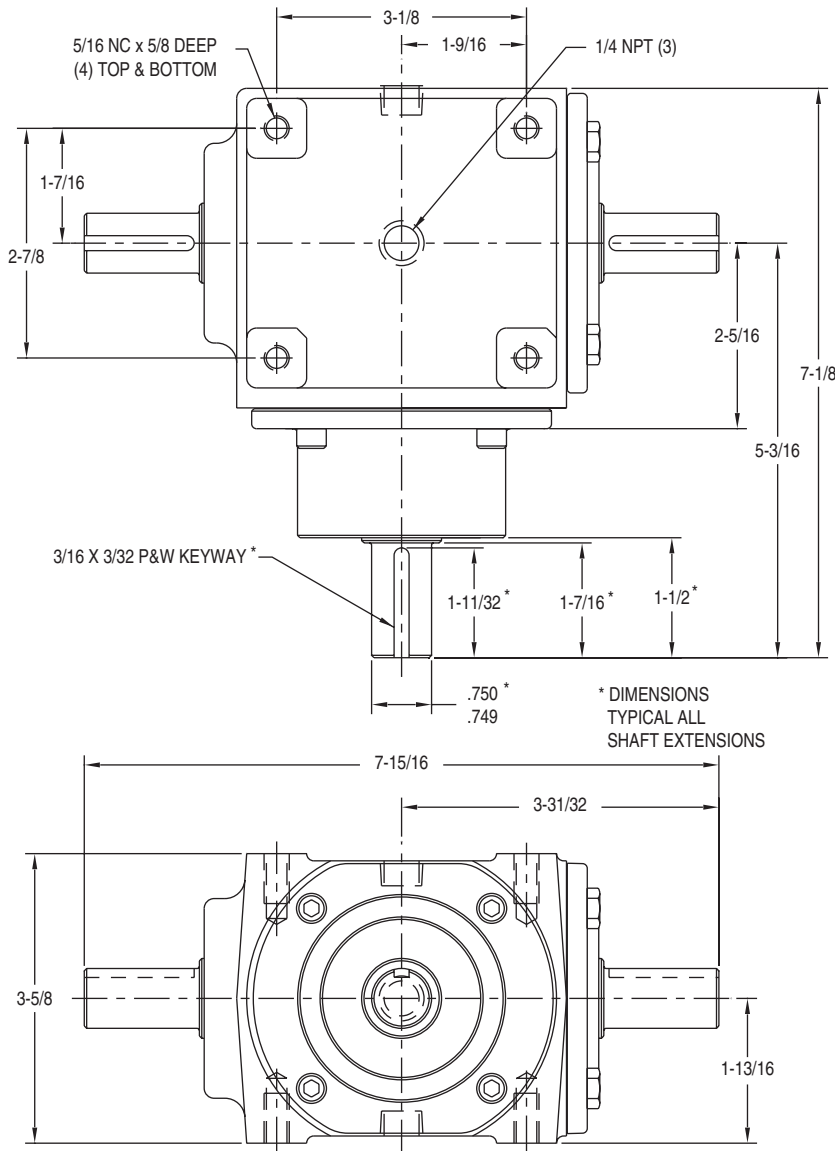
INPUT RPM†		1:1 ST	1.428:1 ST	2:1 ST
1750	INPUT HORSEPOWER	19.96	10.05	5.95
	OUTPUT TORQUE (IN-LBS)	719	516	429
	INPUT O.H.L.	65	248	359
	OUTPUT O.H.L.	259	471	600
1150	INPUT HORSEPOWER	13.77	6.89	4.07
	OUTPUT TORQUE (IN-LBS)	755	540	446
	INPUT O.H.L.	143	339	445
	OUTPUT O.H.L.	325	557	600
850	INPUT HORSEPOWER	10.3	5.24	3.08
	OUTPUT TORQUE (IN-LBS)	764	555	457
	INPUT O.H.L.	227	415	493
	OUTPUT O.H.L.	389	600	600
690	INPUT HORSEPOWER	8.36	4.33	2.54
	OUTPUT TORQUE (IN-LBS)	764	564	465
	INPUT O.H.L.	298	473	528
	OUTPUT O.H.L.	440	600	600
400	INPUT HORSEPOWER	4.85	2.61	1.53
	OUTPUT TORQUE (IN-LBS)	764	588	482
	INPUT O.H.L.	504	600	600
	OUTPUT O.H.L.	590	600	600
300	INPUT HORSEPOWER	3.64	2.00	1.17
	OUTPUT TORQUE (IN-LBS)	764	600	491
	INPUT O.H.L.	599	600	600
	OUTPUT O.H.L.	600	600	600
100	INPUT HORSEPOWER	1.21	0.71	0.41
	OUTPUT TORQUE (IN-LBS)	764	636	518
	INPUT O.H.L.	600	600	600
	OUTPUT O.H.L.	600	600	600

†FOR HIGHER INPUT SPEEDS CONSULT FACTORY.

‡ OVERHUNG LOAD IN POUNDS AT CENTER OF SHAFT EXTENSIONS.



MODEL 44



FOR LUBRICATION AND INSTALLATION INSTRUCTIONS - REFER TO SECTION R

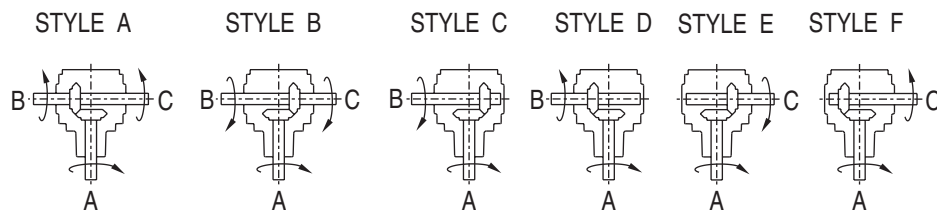
D

RATING AND DIMENSIONS

DRY SHIPPING WEIGHTS
 STYLES A, B, C, D, E, F15 lbs.

STANDARD STYLES AVAILABLE

DIMENSIONS SHOWN ARE FOR REFERENCE ONLY.
 CERTIFIED PRINTS ARE AVAILABLE UPON REQUEST.



CONSULT FACTORY FOR VERTICAL SHAFT LUBRICATION RECOMMENDATIONS
 INPUT SHAFT CAN BE ROTATED IN EITHER DIRECTION