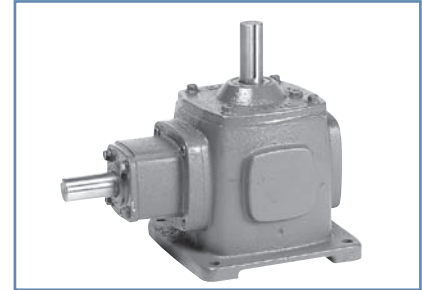




MODEL RA-1

FEATURES

- Rugged cast iron housing designed for rigid gear and bearing support.
- Alloy shafting for greater strength.
- Tapered roller bearings for endurance and strength.
- Choice of three (3) standard gear ratios.
- Heavy-duty industrial seals to keep lubricant in and dirt out.
- Factory Filled with EP-4 Gear Oil.

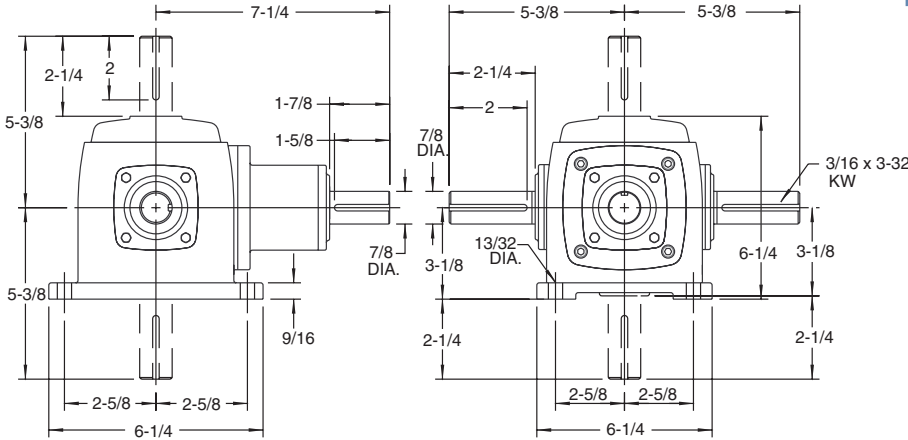


SHIPPING WEIGHT 28 LBS.

Output Shaft Overhung Load = 200 lbs, Located 1.36 inches From End of Shaft Extension.

Input Shaft Overhung Load = 135 lbs, Located 0.94 inches From End of Shaft Extension.

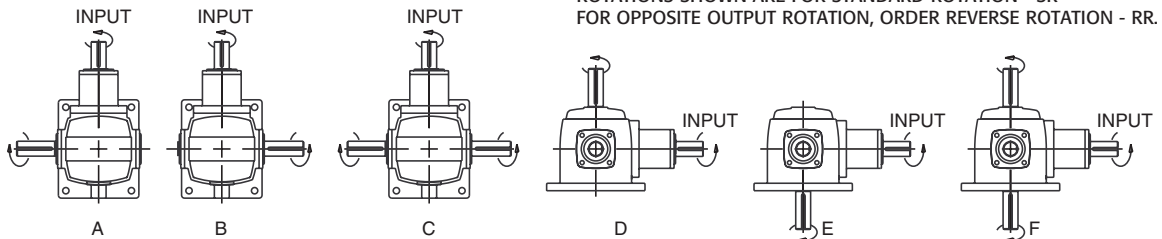
FOR LUBRICATION AND INSTALLATION INSTRUCTIONS - REFER TO SECTION R



RATINGS

INPUT RPM		REDUCTION RATIOS			INCREASER RATIO
		SPIRAL 1:01	SPIRAL 2:1	SPIRAL 3:1	SPIRAL 1:2
3000	INPUT HORSEPOWER	20.60	15.00	10.60	-
	OUTPUT TORQUE (IN-LBS)	433	630	668	-
2400	INPUT HORSEPOWER	17.60	12.80	8.70	-
	OUTPUT TORQUE (IN-LBS)	462	672	685	-
1750	INPUT HORSEPOWER	14.10	10.30	6.50	-
	OUTPUT TORQUE (IN-LBS)	508	742	702	-
1150	INPUT HORSEPOWER	10.50	7.50	4.50	13.96
	OUTPUT TORQUE (IN-LBS)	575	822	740	382
850	INPUT HORSEPOWER	8.50	5.70	3.40	10.68
	OUTPUT TORQUE (IN-LBS)	630	845	756	396
690	INPUT HORSEPOWER	7.30	4.70	2.80	8.83
	OUTPUT TORQUE (IN-LBS)	667	859	767	404
540	INPUT HORSEPOWER	6.00	3.80	2.20	7.18
	OUTPUT TORQUE (IN-LBS)	700	887	770	419
300	INPUT HORSEPOWER	3.50	2.20	1.30	4.19
	OUTPUT TORQUE (IN-LBS)	735	924	819	441
100	INPUT HORSEPOWER	1.50	0.77	0.45	1.49
	OUTPUT TORQUE (IN-LBS)	819	971	851	469

ASSEMBLIES



ROTATIONS SHOWN ARE FOR STANDARD ROTATION - SR FOR OPPOSITE OUTPUT ROTATION, ORDER REVERSE ROTATION - RR.

IN ADDITION TO ASSEMBLY STYLE, SPECIFY MOUNTING POSITION WHEN ORDERING-SEE PAGE D-64.