

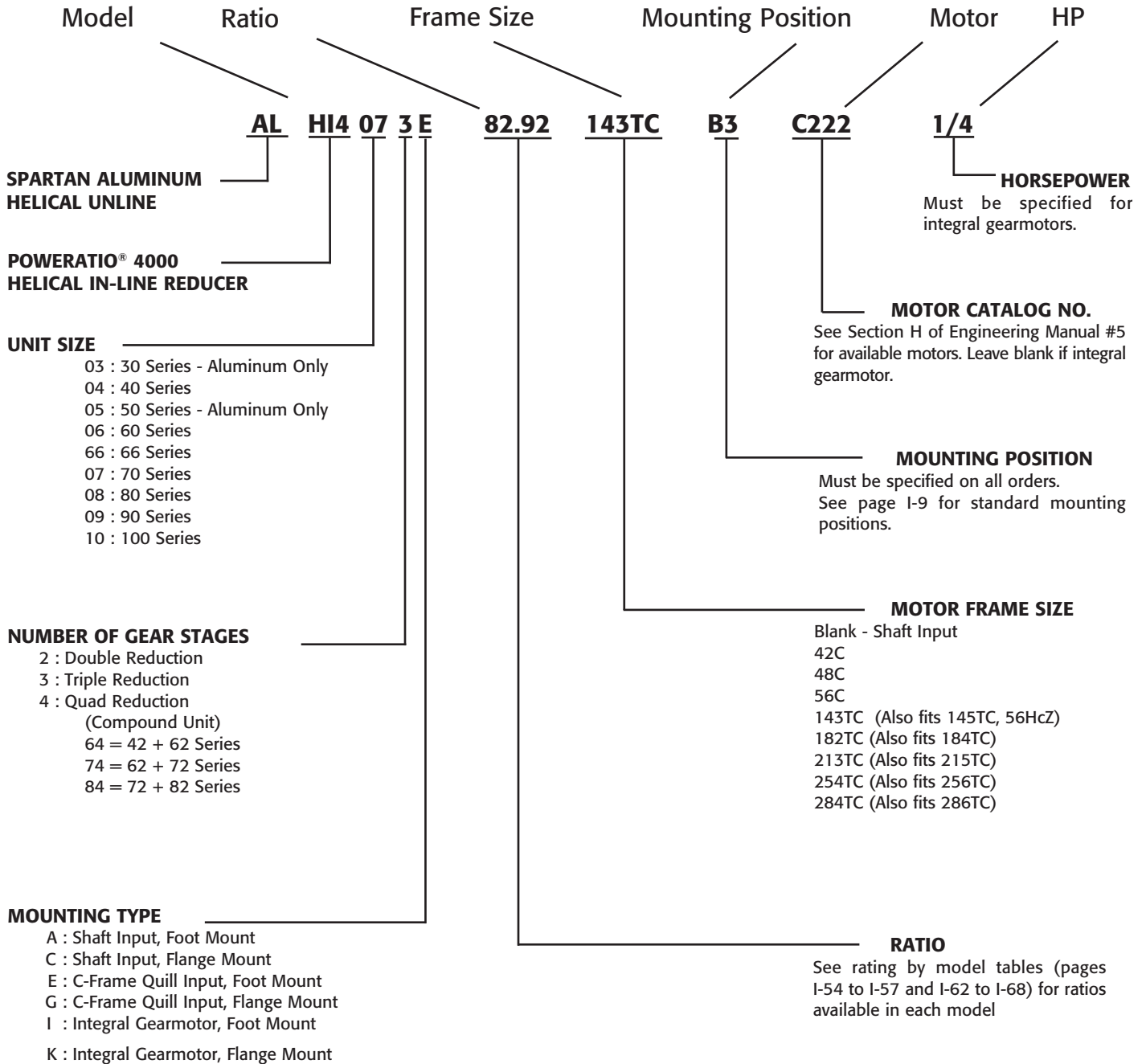


DESCRIPTIONS

DESCRIPTIONS FOR ORDERING REDUCERS AND GEARMOTORS

The Mounting position must be specified on all orders, and included in the reducer description. To order Motorized Reducers, simply specify the reducer, indicate the motor description or catalog number and specify "Motorized Assembly". To order Integral Gearmotors,

simply specify the reducer, motor horsepower and "Integral Gearmotor". Integral Gearmotors in this catalog are supplied with 3 phase 230/460v totally enclosed 1750 rpm general purpose motors.





SELECTION BY INPUT H.P. @ 1750 RPM

HP	OUTPUT SPEED	OUTPUT TORQUE	RATIO	SERVICE FACTOR	OUTPUT OHL	OUTPUT THRUST	GEAR STAGES	MODEL*	INTEGRAL GEARMOTOR
2	70	1729	24.98	1.33	877	175	2	ALHI4052	
	70	1731	25.04	1.05	1150	1250	2	HI4042	Available
	67	1811	26.19	2.90	1700	1500	2	HI4662	Available
	64	1877	27.14	2.16	1600	1400	2	HI4062	Available
	60	2017	29.41	1.48	1012	200	2	ALHI4062	
	60	2017	29.41	1.24	900	175	2	ALHI4052	
	59	2048	29.62	1.99	1600	1400	2	HI4062	Available
	56	2179	31.51	3.33	2200	1620	2	HI4072	Available
	54	2249	32.53	2.36	1700	1500	2	HI4662	Available
	54	2247	32.50	1.82	1600	1400	2	HI4062	Available
	52	2327	34.01	1.48	1060	260	3	ALHI4063	
	52	2327	34.01	1.05	918	202	3	ALHI4053	
	49	2483	35.91	1.65	1600	1400	2	HI4062	Available
	49	2470	35.58	1.01	922	202	2	ALHI4052	
	47	2566	37.11	2.83	2230	1620	2	HI4072	
	46	2655	38.39	2.00	1700	1500	2	HI4662	
	44	2750	39.79	1.27	1192	260	3	ALHI4063	
	39	3094	44.75	2.35	2240	1620	2	HI4072	
	39	3112	45.00	1.32	1600	1400	2	HI4062	Available
	38	3207	46.38	1.67	1700	1500	2	HI4662	
	37	3270	47.22	1.07	1330	260	3	ALHI4063	
	35	3438	49.72	2.11	2240	1620	2	HI4072	
	34	3444	50.87	2.11	2240	1620	3	HI4073	Available
	34	3566	51.57	1.50	1700	1500	2	HI4662	
	34	3544	51.25	1.16	1600	1400	2	HI4062	Available
	33	3622	53.50	3.78	3800	2400	3	HI4083	
	31	3867	57.11	3.54	3800	2400	3	HI4083	Available
	31	3774	55.74	1.92	2240	1620	3	HI4073	Available
	31	3812	56.30	1.37	1700	1500	3	HI4663	Available
	31	3777	55.79	1.09	1600	1400	3	HI4063	Available
	30	3914	57.81	1.85	2240	1620	3	HI4073	Available
	29.0	4089	60.40	1.31	1700	1500	3	HI4663	Available
	27.8	4266	63.01	1.70	2240	1620	3	HI4073	Available
	26.9	4406	65.07	1.22	1700	1500	3	HI4663	Available
	26.5	4477	66.13	1.62	2240	1620	3	HI4073	Available
	26.4	4487	66.27	3.05	3800	2400	3	HI4083	
	25.0	4736	69.95	2.89	3800	2400	3	HI4083	Available
	24.7	4804	70.95	1.51	2240	1620	3	HI4073	Available
	24.4	4848	71.61	1.50	2240	1620	3	HI4073	Available
	23.7	5006	73.94	1.07	1700	1500	3	HI4663	Available
21.4	5547	81.92	1.31	2240	1620	3	HI4073	Available	
20.9	5659	83.58	2.42	3800	2400	3	HI4083	Available	
20.2	5867	86.65	2.34	3800	2400	3	HI4083	Available	
20.2	5855	86.48	1.24	2240	1620	3	HI4073	Available	
19.9	5951	87.89	1.22	2240	1620	3	HI4073	Available	
19.7	6028	89.03	2.27	3800	2400	3	HI4083	Available	
16.9	7010	103.53	1.95	3800	2400	3	HI4083	Available	
16.6	7125	105.23	3.73	4460	3440	3	HI4093	Available	
16.3	7253	107.12	1.00	2240	1620	3	HI4073	Available	
15.9	7467	110.28	1.83	3800	2400	3	HI4083	Available	

* INTEGRAL GEARMOTORS - SPECIFY MOUNTING TYPE I OR K, AND MOTOR HORSEPOWER (SEE PAGE I-8).

* MOTORIZED REDUCERS - SPECIFY MOUNTING TYPE E OR G, AND MOTOR PART NUMBER (SEE SECTION H)

ALL TORQUE VALUES LISTED IN INCH-POUNDS, ALL OVERHUNG LOAD AND THRUST LOAD VALUES LISTED IN POUNDS.

THE POINT OF APPLICATION OF OHL IS CONSIDERED TO BE APPLIED AT THE MIDPOINT OF SHAFT EXTENSION.

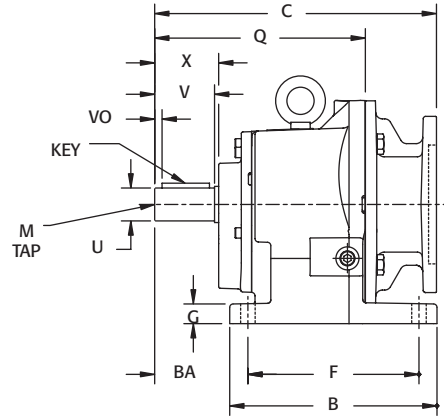
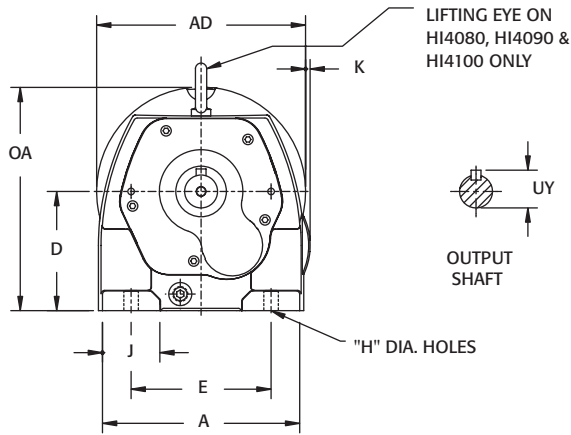
OHL AND THRUST RATINGS CANNOT BE APPLIED SIMULTANEOUSLY. CONSULT THE FACTORY FOR APPLICATIONS WITH COMBINED OHL AND THRUST LOAD.

AT SPEEDS ABOVE 1750 RPM, UNITS MAY BECOME THERMALLY LIMITED. FOR EXTENDED OPERATION, LIMIT HP TO 1750 RPM RATING.



DIMENSIONS SHOWN ARE FOR REFERENCE ONLY.
CERTIFIED PRINTS ARE AVAILABLE UPON REQUEST.

DOUBLE REDUCTION



DIMENSIONS ARE INCH/ mm

GEARCASE

MODEL	A	AD	B	BA	D	E	F	G	H	J	K	OA	Q
HI4042E	5.72 145	6.61 168	6.30 160	2.95 75	3.54 ^{+0.02} 90 ^{+0.5}	4.33 110	5.12 130	0.59 15	0.39 10	1.40 35	0.29 7	6.68 170	7.29 185
HI4062E	7.48 190	7.93 201	7.87 200	3.94 100	4.53 ^{+0.02} 115 ^{+0.5}	5.32 135	6.50 165	0.75 19	0.53 14	2.18 55	N/A N/A	8.48 215	8.40 213
HI4662E	8.14 207	8.50 216	9.13 232	3.94 100	5.12 ^{+0.02} 130 ^{+0.5}	5.91 150	7.68 195	0.82 21	0.53 14	2.39 61	0.24 6	9.08 231	9.44 240
HI4072E	8.66 220	9.97 253	9.65 245	4.53 115	5.51 ^{+0.02} 140 ^{+0.5}	6.69 170	8.07 205	0.98 25	0.69 18	2.16 55	N/A N/A	10.47 266	10.79 274
HI4082E	11.34 288	11.96 304	12.59 320	5.51 140	7.09 ^{+0.02} 180 ^{+0.5}	8.47 215	10.24 260	1.11 28	0.75 19	2.93 74	N/A N/A	13.04 331	12.99 330
HI4092E	13.42 341	14.00 356	14.37 365	6.30 160	8.86 ^{+0.02} 225 ^{+0.5}	9.84 250	12.21 310	1.38 35	0.91 23	3.55 90	0.45 11	15.84 402	16.41 417
HI4102E	15.25 387	16.08 408	17.32 440	7.28 185	9.84 ^{+0.02} 250 ^{+0.5}	11.42 290	14.57 370	1.50 38	1.02 26	4.00 102	0.35 9	16.78 426	19.00 483

OUTPUT SHAFT *

MODEL	U	UY	V	VO	X	KEY	M
HI4042E	1.000 ^{+0.001}	1.10	N/A	0.40	2.12	1/4 x 1/4 x 1-1/2	3/8-24 x 0.91
HI4062E	1.375 ^{+0.001}	1.51	N/A	0.44	2.83	5/16 x 5/16 x 1-3/4	1/2-13 x 1.13
HI4662E	1.375 ^{+0.001}	1.51	2.76	0.44	2.94	5/16 x 5/16 x 1-3/4	1/2-13 x 1.13
HI4072E	1.625 ^{+0.001}	1.78	3.15	0.45	3.27	3/8 x 3/8 x 2-1/4	5/8-11 x 1.38
HI4082E	2.125 ^{+0.001}	2.34	3.94	0.64	4.06	1/2 x 1/2 x 2-5/8	3/4-10 x 1.61
HI4092E	2.375 ^{+0.001}	2.64	4.72	0.70	4.95	5/8 x 5/8 x 3-3/4	3/4-10 x 1.61
HI4102E	2.875 ^{+0.001}	3.19	5.51	0.67	5.62	3/4 x 3/4 x 4-1/8	3/4-10 x 1.61

MOTOR COMPATIBILITY - NEMA

MODEL	C	NEMA							
		56C	143TC 145TC	182TC 184TC	213TC 215TC	254TC 256TC	284TC 286TC	324TC 326TC	364TC 366TC
HI4042E	C	9.90	9.90	11.21	-	-	-	-	-
HI4062E	C	11.10	11.10	12.12	12.12	-	-	-	-
HI4662E	C	12.14	12.14	13.16	13.16	-	-	-	-
HI4072E	C	14.15	14.15	14.83	14.83	14.83	-	-	-
HI4082E	C	-	-	18.45	18.45	18.45	19.00	-	-
HI4092E	C	-	-	20.89	20.89	20.89	20.89	22.15	22.15
HI4102E	C	-	-	23.49	23.49	23.49	23.49	24.75	24.75

* SEE PAGES I-82 AND I-83 FOR ADDITIONAL SHAFT DIAMETERS AVAILABLE.
SEE PAGES I-58 TO I-61 FOR ADDITIONAL MODELS AVAILABLE.



FOR SAFETY AND TO COMPLY WITH LOCAL AND NATIONAL SAFETY CODES, THE PURCHASER OR USER MUST PROVIDE PROTECTIVE GUARDS OVER ALL SHAFT EXTENSIONS AND DEVICES MOUNTED THEREON.