

BALDOR

BALDOR® • RELIANCE

Product Information Packet

CLARK TRANSMISSION CO.

EM7057T-I

15//10HP,1180//980RPM,3PH,60//50HZ,284T

Part Detail							
Revision:	-	Status:	PRD/A	Change #:		Proprietary:	No
Type:	AC	Prod. Type:	1042M	Elec. Spec:	10WGY709	CD Diagram:	
Enclosure:	XPFC	Mfg Plant:		Mech. Spec:	10E950	Layout:	
Frame:	284T	Mounting:	F1	Poles:	06	Created Date:	06-25-2010
Base:	RG	Rotation:	R	Insulation:	F	Eff. Date:	06-30-2010
Leads:	9#12	Literature:		Elec. Diagram:		Replaced By:	

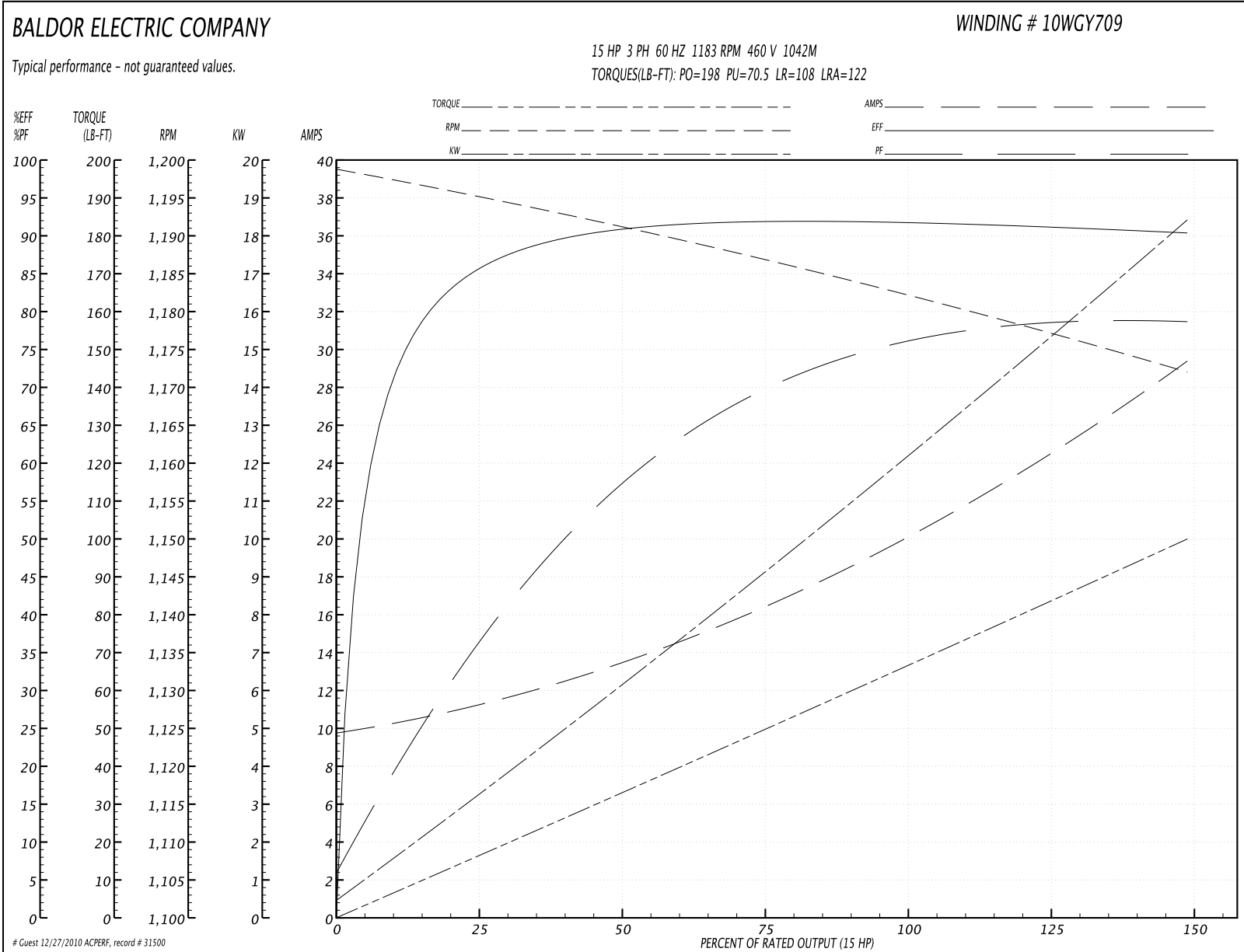
Nameplate NP0977XP							
NO.		TEMP CODE	T3C				
SPEC.	10E950Y709G2	DE BRG	6311				
CAT.NO.	EM7057T-I	ODE BRG	6309				
HP	15//10	GREASE	POLYREX EM				
VOLTS	230/460//190/380	MOTOR WEIGHT	455				
AMPS	40/20//34/17	NEMA-NOM-EFF	91.7				
RPM	1180//980	FL PF	75				
CYCLE	60//50	PH	3	CL	F	FRAME	284T
SER.F.	1.15	DES	B	CODE	G	CC	010A
SER.							
RATING	40C AMB-CONT						
USABLE AT 208V							

Parts List		
Part Number	Description	Quantity
SA198996	SA 10E950Y709G2	1.000 EA
RA186347	RA 10E950Y709G2	1.000 EA
09FN3001C02	EXTERNAL FAN, PLASTIC	1.000 EA
12CB1003A02	CONDUIT BOX MACH. GROUP C MTRS	1.000 EA
10XN3118K24	5/16-18 X 1.50" HEX HD, GRADE 5	4.000 EA
HW1001A31	LOCKWASHER 5/16, ZINC PLT.591 OD, .319 I	4.000 EA
WD1000B19	TERMINAL BURNDY L250HP	1.000 EA
10XN3816K12	3/8-16 X 3/4 HEX HD CAP GRADE 5	1.000 EA
HW1001A38	LOCKWASHER 3/8, ZINC PLT .688 OD, .382 I	1.000 EA
10EP1701A25P	FR ENDPLATE, MACH W/PRIMER	1.000 EA
HW3023E06	.125 X .625 SPIRAL SPRING PIN	1.000 EA
HA3050A03	3/8-16 X 2.25" GRADE 8 BOLT	4.000 EA
HW1001A38	LOCKWASHER 3/8, ZINC PLT .688 OD, .382 I	4.000 EA
HW5100A11	W3917-042 WVY WSHR (WB)	1.000 EA
10XN2520K40	1/4-20 X 2-1/2 HEX HD CAPSCREW, GRADE 5,Z	4.000 EA
HW1001A25	LOCKWASHER 1/4, ZINC PLT .493 OD, .255 I	4.000 EA
10EP1709A12P	PUEP, XP (CL.I,GP.D ONLY) AL SLNGR, HW45	1.000 EA
HW3023E06	.125 X .625 SPIRAL SPRING PIN	1.000 EA
HA3050A03	3/8-16 X 2.25" GRADE 8 BOLT	4.000 EA
HW1001A38	LOCKWASHER 3/8, ZINC PLT .688 OD, .382 I	4.000 EA
HA2067A01	ALUM SLINGER (AUTO)	1.000 EA
80XN1032A06	10-32 X 3/8 SET SC HEX SOCK	2.000 EA
10FH1008A01	310 FAN HOUSING X-PROOF MACH.	1.000 EA
10XN3118K12	5/16-18 X .75 GRADE 5, ZINC PLATED	3.000 EA

Parts List (continued)		
Part Number	Description	Quantity
12CB1502A01	CONDUIT BOX LID MACH. GROUP C MTRS	1.000 EA
84XN5013J32	SOCKET HD.CAP SCR,1/2-13 X 2"LG,ALLOY ST	10.000 EA
HW1001A50	LOCKWASHER 1/2, ZINC PLT, .879 OD, .509 I	10.000 EA
HW2501H28	KEY, 1/2 SQ X 3.250	1.000 EA
LB1115	LABEL,LIFTING DEVICE	1.000 EA
LB1081	LABEL CSA XPROOF	1.000 EA
LB5040	INSTRUCTION TAG, AC & DC	1.000 EA
HW4500A20	1/8NPT SL PIPE PLUG	2.000 EA
HW4505A02	BREATHER/DRAIN-EXP PROOF-.250-18 PTF AIS	1.000 EA
MJ1000A02	GREASE, POLYREX EM EXXON	0.130 LB
HW4500A20	1/8NPT SL PIPE PLUG	2.000 EA
HW4505A02	BREATHER/DRAIN-EXP PROOF-.250-18 PTF AIS	1.000 EA
HW2500A25	WOODRUFF KEY USA #1008 #BLOW CARBON STEE	1.000 EA
51XB1214A20	12-14X1.25 HXWSSLD SERTYB	1.000 EA
MG1025G05	PAINT 789.201 (WILCO) DARK GRAY METALLIC	0.070 GA
85XU0407A04	#4-7 X 1/4 DRIVE PIN	6.000 EA
LB1119	WARNING LABEL	1.000 EA
LB1125C02	SUPER-E (STOCK CTN LABEL SUPER-E WITH FL	4.000 EA
LB1357	ENERGY GUIDE LABEL (BOX LABEL)	1.000 SH
LC0181	CONNECTION LABEL	1.000 EA
NP0977XP	UL/CSA, CLI GP-C&D,CC	1.000 EA
12PA1000	PACKAGING GROUP COMBINED PRINT PK1024A06	1.000 EA

Performance Data at 460V, 60Hz, 15.0HP (Typical performance - Not guaranteed values)							
General Characteristics							
Full Load Torque:	65.7 LB-FT			Start Configuration:	DOL		
No-Load Current:	10.0 Amps			Break-Down Torque:	198.0 LB-FT		
Line-line Res. @ 25°C.:	0.618 Ohms A Ph / 0.0 Ohms B Ph			Pull-Up Torque:	70.5 LB-FT		
Temp. Rise @ Rated Load:	48 C			Locked-Rotor Torque:	108.0 LB-FT		
Temp. Rise @ S.F. Load:	58 C			Starting Current:	122.0 Amps		
Load Characteristics							
% of Rated Load	25	50	75	100	125	150	S.F.
Power Factor:	37.0	58.0	69.0	75.0	78.0	79.0	77.0
Efficiency:	85.2	90.6	92.0	91.8	91.3	90.3	91.5
Speed:	1195.0	1191.0	1187.0	1183.0	1177.0	1172.0	1179.0
Line Amperes:	11.0	13.1	16.4	20.2	24.5	29.2	22.8

Performance Graph at 460V, 60Hz, 15.0HP Typical performance - Not guaranteed values



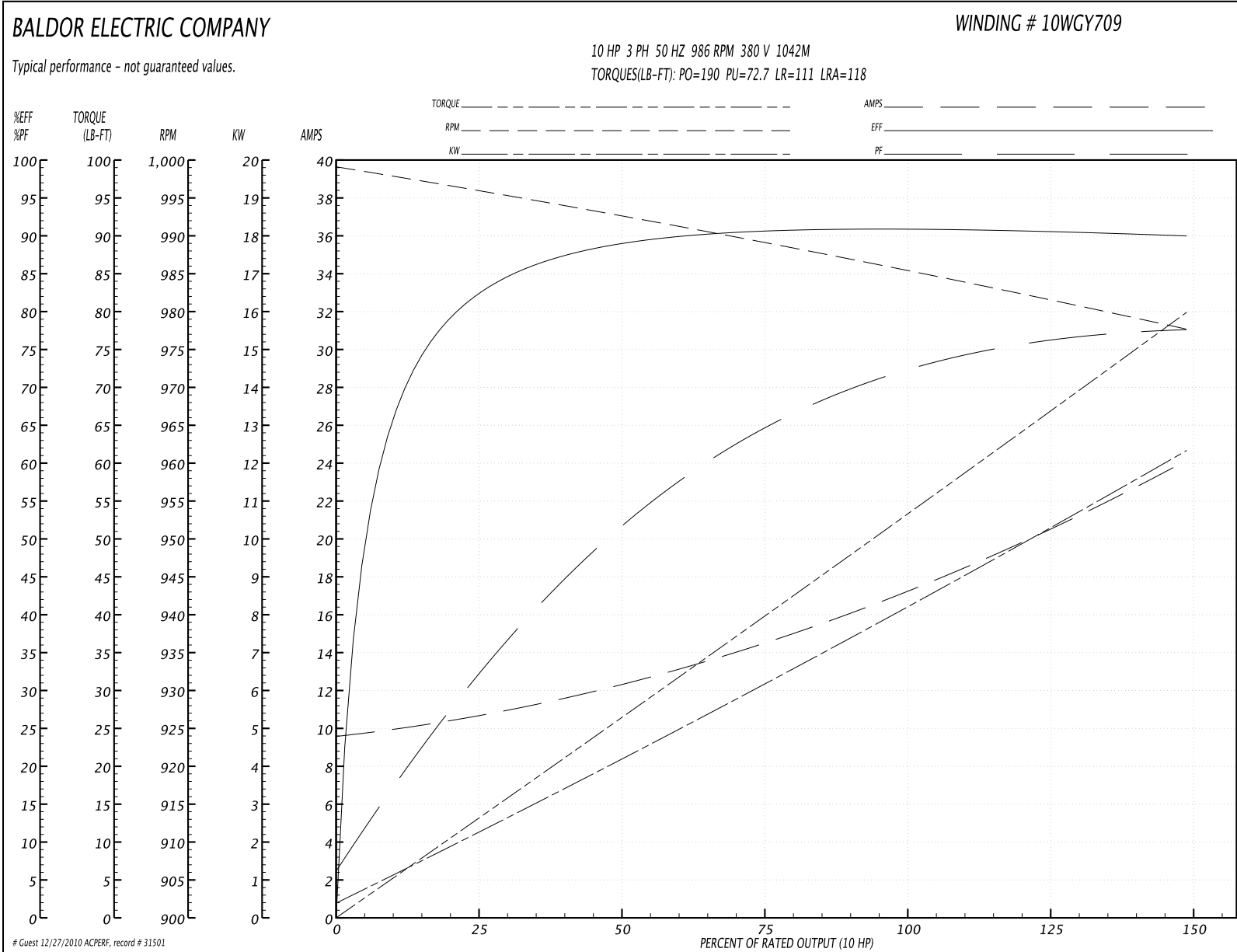
Performance Data at 380V, 50Hz, 10.0HP (Typical performance - Not guaranteed values)
General Characteristics

Full Load Torque:	52.5 LB-FT	Start Configuration:	DOL
No-Load Current:	9.76 Amps	Break-Down Torque:	190.0 LB-FT
Line-line Res. @ 25°C.:	0.618 Ohms A Ph / 0.0 Ohms B Ph	Pull-Up Torque:	72.7 LB-FT
Temp. Rise @ Rated Load:	38 C	Locked-Rotor Torque:	111.0 LB-FT
Temp. Rise @ S.F. Load:	44 C	Starting Current:	118.0 Amps

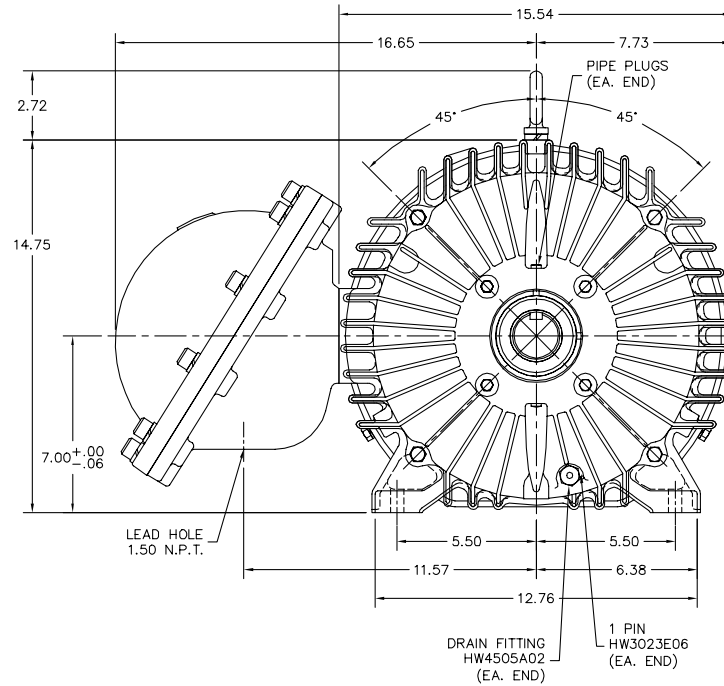
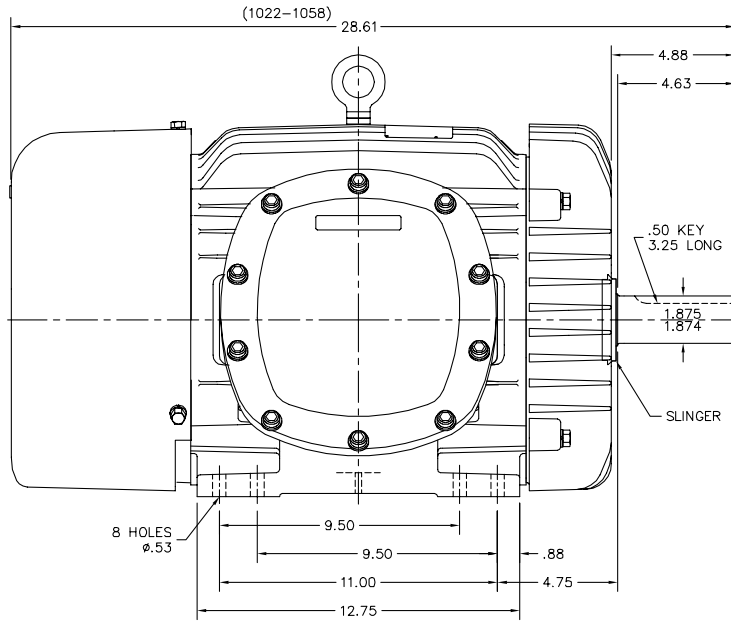
Load Characteristics

% of Rated Load	25	50	75	100	125	150	S.F.
Power Factor:	33.0	52.0	64.0	71.0	76.0	78.0	74.0
Efficiency:	82.1	88.9	90.7	90.8	90.6	90.0	90.7
Speed:	996.0	993.0	989.0	986.0	981.0	978.0	983.0
Line Amperes:	10.5	12.0	14.5	17.3	20.5	24.0	19.2

Performance Graph at 380V, 50Hz, 10.0HP Typical performance - Not guaranteed values



10LYE950



10LYE950

CUSTOMER IS RESPONSIBLE FOR DETERMINING THAT BALDOR'S PRODUCT WILL PERFORM SUITABLY IN THE INTENDED APPLICATION.

REV. DESC: 10FH1008A01 WAS 10FH1008A02		
REV. LTR: D	VERSION: 01	TDR: 000000526230
FILE: \AAA\00076\047	REVISED: 09:38:45 01/26/2010	BY: ENQDIDO
MTL: -		

BALDOR • DODGE • RELIANCE
 HORZ XPFC 284-6T CL1, GRP. C&D, DRILL RIG
 SH 1 of 1

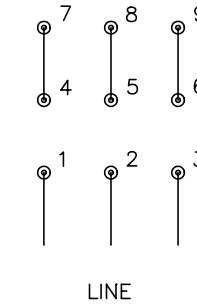
CD0180



LOW VOLTAGE
(2D)



HIGH VOLTAGE
(1D)



NOTES:

1. INTERCHANGE ANY TWO LINE LEADS TO REVERSE ROTATION.
2. OPTIONAL THERMOSTATS ARE PROVIDED WHEN SPECIFIED.
3. ACTUAL NUMBER OF INTERNAL PARALLEL CIRCUITS MAY BE A MULTIPLE OF THOSE SHOWN ABOVE.
4. LEAD COLORS ARE OPTIONAL. LEADS MUST ALWAYS BE NUMBERED AS SHOWN.

REV. DESC: REVISE TO SHOW OPTIONAL COLORS			
REV. LTR: C	BY: JLP	REVISED: 01/21/99 2:28	TDR: 0171435
0810D0		FILE: AAA00005148	MDL: -
		MTL: -	

BALDOR ELECTRIC Co.

3PH, DV, 9 LEADS, DELTA CONNECTION

CD0180