

# **BALDOR® • RELIANCE**

**Product Information Packet**

**CLARK TRANSMISSION CO.**

**EM2559T-4**

**125HP, 1775RPM, 3PH, 60HZ, 405T, 4488M, OPSB, F**

Part Detail									
Revision:	-	Status:	PRD/A	Change #:		Proprietary:	No		
Type:	AC	Prod. Type:	4488M	Elec. Spec:	44WGW047	CD Diagram:			
Enclosure:	OPSB	Mfg Plant:		Mech. Spec:	44E195	Layout:			
Frame:	405T	Mounting:	F1	Poles:	04	Created Date:	08-06-2009		
Base:	RG	Rotation:	R	Insulation:	F	Eff. Date:	08-24-2009		
Leads:	6#6	Literature:		Elec. Diagram:		Replaced By:			
Nameplate NP2138L									
CAT.NO.	EM2559T-4	P/N		ENCLOSURE	OPSB				
SPEC.	44E195W047	CC	010A	FRAME	405T	S/N			
HP	125	CLASS	F	HZ	60				
RPM	1775	PH	3	DES	B				
VOLT	460	KVA-CODE	G	ODE BRG	6312	DE BRG	6316		
AMP	143	USABLE AT 208V							
RATING	40C AMB-CONT	GREASE	POLYREX EM						
NEMA-NOM-EFF	95.4	PF	86	SER.F.	1.15				
HTR-VOLTS		HTR-AMPS							

Parts List		
Part Number	Description	Quantity
SA184568	SA 44E195W047	1.000 EA
RA172401	RA 44E195W047	1.000 EA
S/P107-000-004	SUPER-E(284 FR. & UP)-CL PLANT,POLYREX E	1.000 EA
HA6731	LIFTING LUG FOR 44 FRAME MOTORS.	2.000 EA
HA6648A01	CAST ADAPTER, 44 FRAME - NEMA 404-5 - MA	1.000 EA
19XW3816A12	.38-16 X .75 HEX WASHER HEAD TAPTITE II	2.000 EA
HW1001A38	LOCKWASHER 3/8, ZINC PLT .688 OD, .382 I	2.000 EA
18CB1006A04	CB 318 3.62 LD HOLE, .38 MTG HOLE & 3.88	1.000 EA
19XW3118A16	.31-18 HEX WASHER HEAD TAPTITE II 1.00 L	4.000 EA
HW1001A31	LOCKWASHER 5/16, ZINC PLT.591 OD, .319 I	4.000 EA
WD1000B25	BURNDY TERMINAL L125HP	1.000 EA
10XN3118K08	5/16-18 X .50 GRADE #5, STL, ZINC PLATE	1.000 EA
HW1001A31	LOCKWASHER 5/16, ZINC PLT.591 OD, .319 I	1.000 EA
44EP1203A02	FREP, MACH	1.000 EA
HW5100A15	W4997-050 WVY WSHR (WB)	1.000 EA
10XN3816K48	3/8-16 X 3 HEX HD CAP SCREW,Z/P	4.000 EA
HW1001A38	LOCKWASHER 3/8, ZINC PLT .688 OD, .382 I	4.000 EA
44EP1202A01	PU ENDPLATE, MACH.	1.000 EA
XY5013A12	NUT,1/2-13,HEX,STEEL,ZINCPLATED	8.000 EA
18CB1506A01	CB LID 318 FOR 18CB1006	1.000 EA
10XN3118K16	5/16-18 X 1" GRADE #5, STL, ZINC PLATE	4.000 EA
HW1001A31	LOCKWASHER 5/16, ZINC PLT.591 OD, .319 I	4.000 EA
HW2501K66	KEY, 3/4 SQ X 5.625	1.000 EA
LB1115	LABEL,LIFTING DEVICE	1.000 EA

Parts List (continued)		
Part Number	Description	Quantity
LB5040	INSTRUCTION TAG, AC & DC	1.000 EA
HA4051A00	PLASTIC CAP FOR GREASE FITTING	1.000 EA
44AD2003A01	BAFFLE PLATE 44 OPSB, "X" = -.470, "Y" =	1.000 EA
HW4500A03	GREASE FITTING, .125 NPT 1610(ALEMITE) 8	1.000 EA
HW4500A20	1/8NPT SL PIPE PLUG	1.000 EA
MJ1000A75	GREASE, POLYREX EM EXXON	0.030 LB
HA4051A00	PLASTIC CAP FOR GREASE FITTING	1.000 EA
44AD2003A01	BAFFLE PLATE 44 OPSB, "X" = -.470, "Y" =	1.000 EA
HW4500A03	GREASE FITTING, .125 NPT 1610(ALEMITE) 8	1.000 EA
HW4500A20	1/8NPT SL PIPE PLUG	1.000 EA
HA3175A03	THRUBOLT STUD 1/2-13 X 24.250 - GRADE 2	4.000 EA
MG1000Y03	WILKO 689.710 GOLD PAINT SUPER E	0.080 GA
85XU0407A04	#4-7 X 1/4 DRIVE PIN	4.000 EA
LB1119	WARNING LABEL	1.000 EA
LB1125C02	SUPER-E (STOCK CTN LABEL SUPER-E WITH FL	4.000 EA
LB1357	ENERGY GUIDE LABEL (BOX LABEL)	1.000 SH
LC0382	CONNECTION LABEL	1.000 EA
NP2138L	LARGE NP BALDOR SUPER-E LASER BLANK	1.000 EA
44PA1000	PK GP COMB PRINT 39-3/8X31X23-7/8	1.000 EA

<b>Accessories</b>		
<b>Part Number</b>	<b>Description</b>	<b>Multiplier</b>
44-1402	C FACE KIT 44/404-5UC TC 6316 BRG	A8

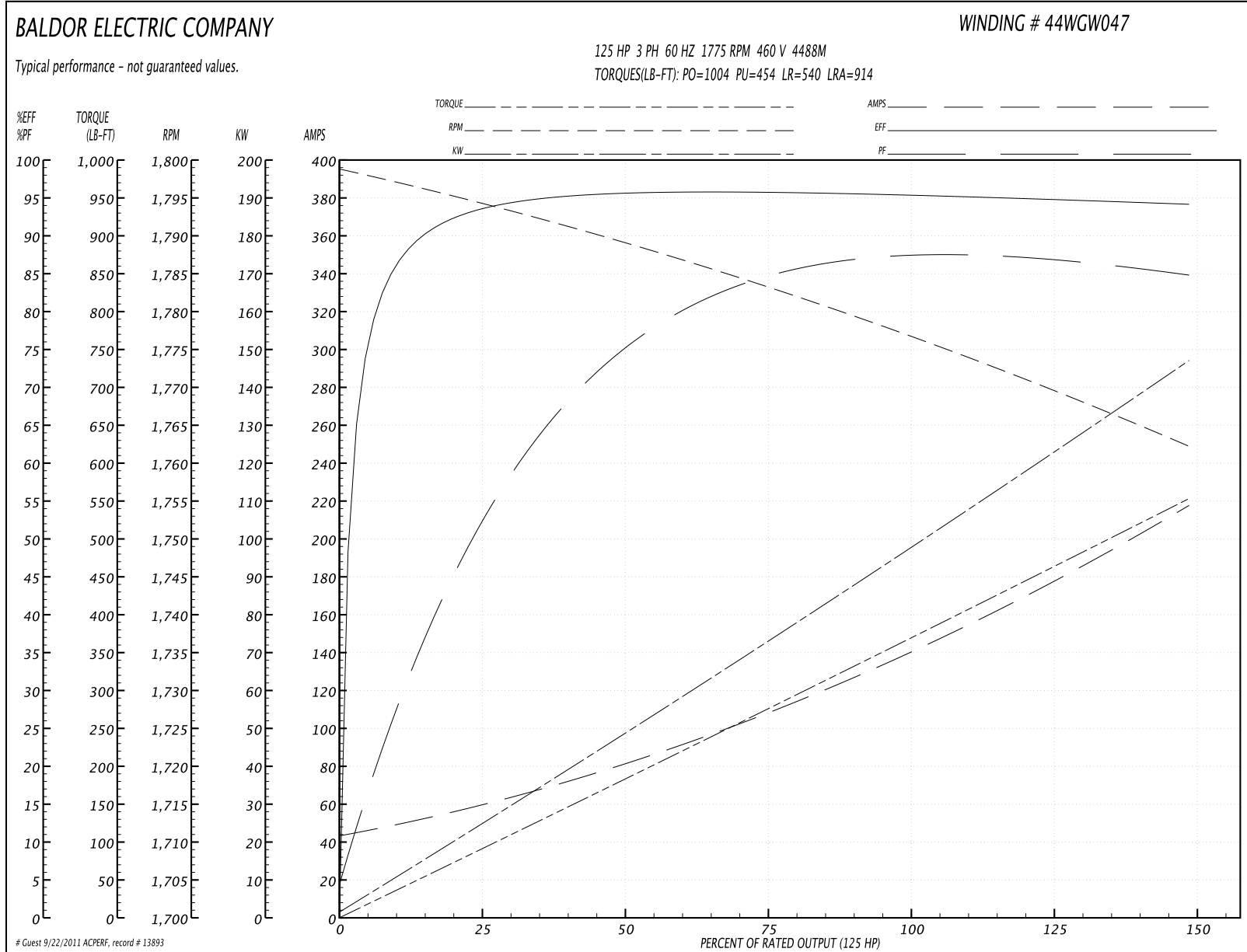
**Performance Data at 460V, 60Hz, 125.0HP (Typical performance - Not guaranteed values)**
**General Characteristics**

<b>Full Load Torque:</b>	369.0 LB-FT	<b>Start Configuration:</b>	DOL
<b>No-Load Current:</b>	46.0 Amps	<b>Break-Down Torque:</b>	1004.0 LB-FT
<b>Line-line Res. @ 25°C.:</b>	0.0379 Ohms A Ph / 0.0 Ohms B Ph	<b>Pull-Up Torque:</b>	454.0 LB-FT
<b>Temp. Rise @ Rated Load:</b>	48 C	<b>Locked-Rotor Torque:</b>	540.0 LB-FT
<b>Temp. Rise @ S.F. Load:</b>	64 C	<b>Starting Current:</b>	914.0 Amps

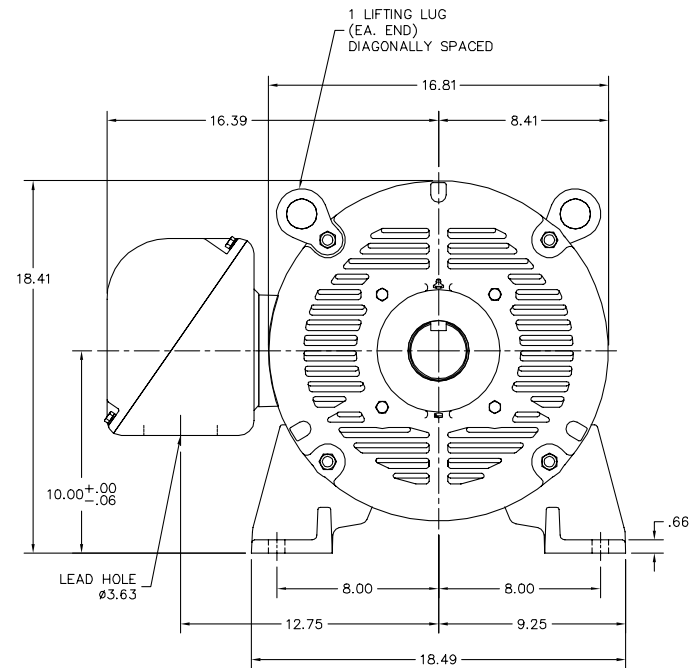
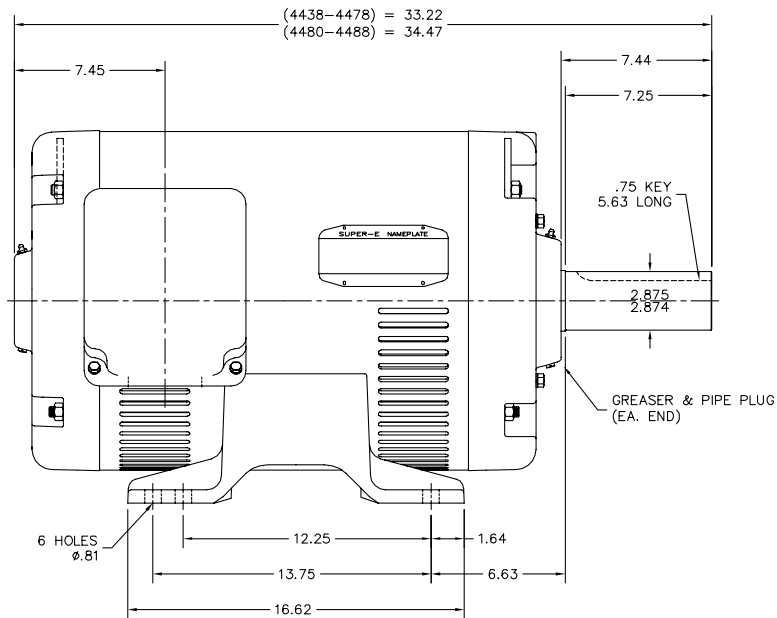
**Load Characteristics**

<b>% of Rated Load</b>	<b>25</b>	<b>50</b>	<b>75</b>	<b>100</b>	<b>125</b>	<b>150</b>	<b>S.F.</b>
<b>Power Factor:</b>	56.0	77.0	84.0	86.0	87.0	86.0	87.0
<b>Efficiency:</b>	93.5	95.5	95.7	95.4	94.9	94.1	95.1
<b>Speed:</b>	1794.0	1789.0	1783.0	1777.0	1770.0	1762.0	1773.0
<b>Line Amperes:</b>	56.3	79.8	109.4	142.6	177.7	216.0	163.7

Performance Graph at 460V, 60Hz, 125.0HP Typical performance - Not guaranteed values



44LYE195



CUSTOMER IS RESPONSIBLE FOR DETERMINING THAT BALDOR'S PRODUCT WILL PERFORM SUITABLY IN THE INTENDED APPLICATION.

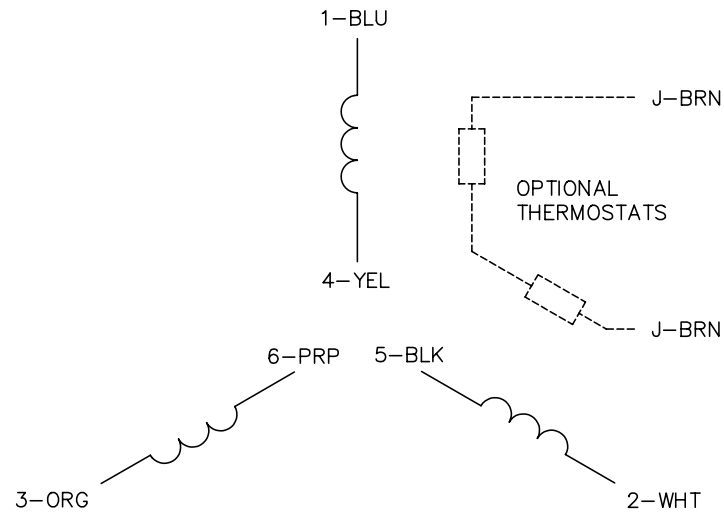
REV. DESC: NEW	VERSION: 00	TDR: 000000505270
REV. LTR: -	REVISED: 07:36:24 07/13/2009	BY: ENGAMG0
FILE: \AAA\00164\074		
MTL: -		

**BALDOR • DODGE • RELIANCE**  
 HORZ OPSB 404-5T, SUPER-E  
 SH 1 of 1

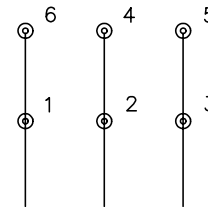
44LYE195



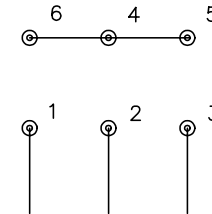
CD0382



RUN CONNECTION (1D)



START CONNECTION (1Y)



NOTES:

1. INTERCHANGE ANY TWO LINE LEADS TO REVERSE ROTATION.
2. OPTIONAL THERMOSTATS ARE PROVIDED WHEN SPECIFIED.
3. ACTUAL NUMBER OF INTERNAL PARALLEL CIRCUITS MAY BE A MULTIPLE OF THOSE SHOWN ABOVE.
4. LEAD COLORS ARE OPTIONAL. LEADS MUST ALWAYS BE NUMBERED AS SHOWN.
5. FOR ACROSS-THE-LINE STARTING, USE 'RUN' CONNECTION.

REV. DESC: ADD NOTE 5 FOR DOL STARTING			
REV. LTR: E	BY: JLP	REVISED: 11/30/00 2:26	TDR: 0226155
CD0382		FILE: AAA00005243	REF: -
		MTL: -	

**BALDOR ELECTRIC Co.**

3PH, SV, 6 LEADS, Y START/D RUN

CD0382