

High Temperature Bearings up to 450°

AMI Bearings, Inc.
an **AS** company

PH: (800) 882-8642 • FAX: (847) 759-0630
www.amibearings.com

All Housing Styles and Hi-Temp Bearings up to 450° in Stock!



Hi-Temp Grease Alone, Does Not Make a High-Temp Bearing!!!

● HIGH TEMPERATURE GREASES

The Lubrication! This is what some bearing manufacturers consider to be the only difference between a standard and high-temp insert. **THE USE OF HIGH-TEMP GREASE ALONE DOES NOT CREATE A HIGH-TEMP BEARING INSERT.** For **AMI** it is one of the many important elements that make up a *true* high-temp bearing. Listed below are the greases used in **AMI's** C4HR5 and C4HR23 bearing units...

C4HR5 = Max bearing operating temp (392°F)

Yukon Super-Lube No. 3 / Oil Research Industrial, LTD.

- *soap based (compound)
- *max. operating temperatures of the grease.....+392°F

C4HR23 = Max bearing operating temp (446°F)

Noxlub BF4026 / Nok Klubber Co., LTD.

- *fluoride base (proprietary mixture)
- *max. operating temperatures of the grease.....+536°F

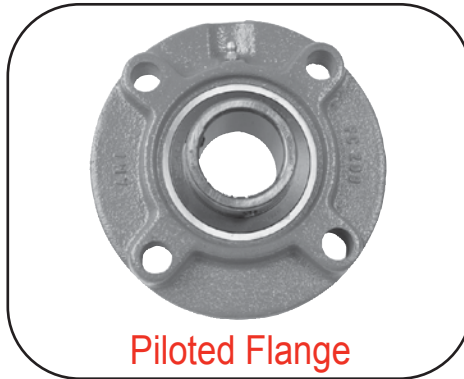
● INTERNAL CLEARANCE

In the manufacturing of ball bearings, it is a standard practice for **AMI** to assemble its rings and balls with a specified internal clearance. In the case of high-temp inserts, internal clearance is even more important in compensating for thermal expansion of bearings, shafts, and housings.

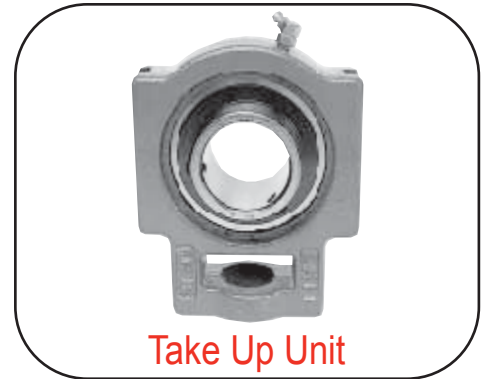
AMI uses an internal clearance standard of (**C4**) on all of its high-temp inserts.

● SILICONE RUBBER SEALS

Most standard units are supplied with a nitrile rubber seal. Nitrile rubber is an excellent seal at temperatures ranging from 0 to 212 degrees F. Soon after that temperature, nitrile



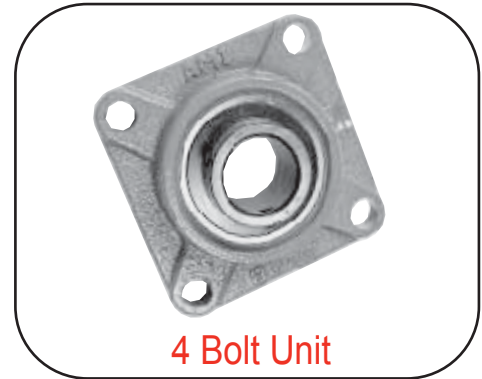
Pillowed Flange



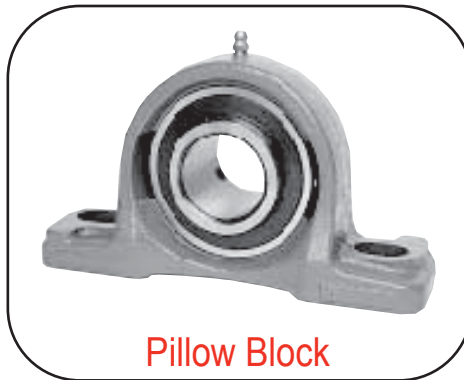
Take Up Unit



Hanger



4 Bolt Unit



Pillow Block

rubber starts to breakdown... Leaving no sealing element to retain the high-temp lubrication. **SILICONE** seals have excellent high temperature stability, exceptional release from sticking, resistance to aging, ozone, sunlight and outstanding water repellence. The use of **SILICONE** seals insures that the high-temp lube stays where it belongs... in the bearing!

● ZINC ANODIZED SLINGER

In order to allow the silicone to properly do its job as a seal, **AMI** uses a special Zinc Anodized Slinger to protect it. The purpose of a slinger is not only to protect the seal, but also to provide the first line of defense for the balls and retainer against contaminants. Using a standard cold rolled steel slinger in a high-temp application may initially provide protection, but quite possibly corrode and lead to premature bearing failure. **AMI's** process of **Zinc** Anodization produces a slinger with two key attributes... Heat and Abrasion Resistance... A resistance that will maintain its properties well past the operating temperature of the bearing.

AMI rolling element, Hi-Temp ball bearings are designed to run at elevated temperatures at various operating ranges.



Hi-Temperature Bearing Units up to 400°

AMI PART NUMBER	AVAILABLE SIZES	Pillow Block Units	4 Bolt, 2 Bolt Flange Units	Take Up Units	Tap Base and Flange Units	Piloted Flange Units
		UCP200C4HR5	UCF200C4HR5 UCFL200C4HR5	UCST200C4HR5	UCTB200C4HR5 UCFB200C4HR5	UCFCS200C4HR5 UCFCF200C4HR5
201-204	12mm, 15mm, 17mm, 20mm, 1/2" - 3/4"	82.30	83.10	89.90	99.00	94.60
205	25mm, 7/8" - 1"	94.70	95.90	107.60	111.70	109.10
206	30mm, 1-1/8" - 1-1/4"	113.60	114.60	133.00	153.90	123.60
207	35mm, 1-1/4" - 1-7/16"	135.40	138.10	164.30	176.60	148.00
208	40mm, 1-1/2"	159.30	162.50	195.10	198.20	175.00
209	45mm, 1-5/8" - 1-3/4"	179.20	182.50	220.70	217.00	200.40
210	50mm, 1-7/8" - 2"	205.30	204.30	273.80	250.40	218.50
211	55mm, 2" - 2-3/16"	262.80	264.30	356.60	-	299.90
212	60mm, 2-1/4" - 2-7/16"	331.40	329.30	450.60	-	358.00
213	65mm, 2-1/2"	397.80	397.80	560.80	-	414.10
214	70mm, 2-11/16" - 2-3/4"	465.60	-	-	-	539.80
215	75mm, 2-15/16" - 3"	534.20	-	-	-	656.50
216	80mm	633.90	-	-	-	731.40
217	85mm	769.40	-	-	-	963.90

Hi-Temperature Bearing Units up to 450°

AMI PART NUMBER	AVAILABLE SIZES	Pillow Block Units	4 Bolt, 2 Bolt Flange Units	Take Up Units	Tap Base and Flange Units	Piloted Flange Units
		UCP200C4HR23	UCF200C4HR23 UCFL200C4HR23	UCST200C4HR23	UCTB200C4HR23 UCFB200C4HR23	UCFCS200C4HR23 UCFCF200C4HR23
201-204	12mm, 15mm, 17mm, 20mm, 1/2" - 3/4"	149.10	149.90	156.70	165.90	161.50
205	25mm, 7/8" - 1"	173.20	174.40	186.20	190.20	187.60
206	30mm, 1-1/8" - 1-1/4"	206.20	207.20	225.50	246.40	216.10
207	35mm, 1-1/4" - 1-7/16"	248.10	250.90	277.10	289.40	260.80
208	40mm, 1-1/2"	291.60	294.90	327.40	330.50	307.30
209	45mm, 1-5/8" - 1-3/4"	328.30	331.20	369.70	366.10	349.40
210	50mm, 1-7/8" - 2"	370.20	369.20	438.70	415.30	383.40
211	55mm, 2" - 2-3/16"	478.80	480.30	572.60	-	515.90
212	60mm, 2-1/4" - 2-7/16"	603.90	601.80	745.10	-	630.50
213	65mm, 2-1/2"	721.80	721.80	884.90	-	738.20
214	70mm, 2-11/16" - 2-3/4"	916.90	973.40	-	-	991.10
215	75mm, 2-15/16" - 3"	1059.30	1135.10	-	-	1181.60

Hi-Temperature Bearing Inserts

AMI PART NUMBER	AVAILABLE SIZES	PRICE	
		UC200C4HR5 (up to 400°)	UC200C4HR23 (up to 450°)
201-204	12mm, 15mm, 17mm, 20mm, 1/2" - 3/4"	66.90	133.70
205	25mm, 7/8" - 1"	78.60	157.10
206	30mm, 1-1/8" - 1-1/4"	92.60	185.10
207	35mm, 1-1/4" - 1-7/16"	112.80	225.50
208	40mm, 1-1/2"	132.30	264.70
209	45mm, 1-5/8" - 1-3/4"	149.00	298.10
210	50mm, 1-7/8" - 2"	164.90	329.80
211	55mm, 2" - 2-3/16"	216.00	432.00
212	60mm, 2-1/4" - 2-7/16"	272.50	545.00
213	65mm, 2-1/2"	324.00	648.10
214	70mm, 2-11/16" - 2-3/4"	376.10	827.40
215	75mm, 2-15/16" - 3"	437.60	962.70
216	80mm, 3-1/8"	509.80	1121.50
217	85mm, 3-1/4"	614.90	1352.70

All Housing Styles and Hi-Temp Bearings up to 450° in Stock!

Here's how **AMI** delivers high-temp performance!

● **HI-TEMP BEARING UNITS UP TO 450°
IN STOCK... IN ALL HOUSING STYLES
AND SIZES INCLUDING METRIC.**

Why pay for a bearing that is capable of performance up to 450° when all you require is a running temperature of 250°? Worse yet... if you require performance at even higher temperatures, why settle for a bearing that is designed not to exceed temperatures of 400°? We have what you need in stock... all sizes, all housing styles, metric too... up to 450°!

● **ONLY SPECIAL SEALS ARE USED
TO WITHSTAND HIGH TEMPERATURES!**

Why experience premature bearing failure from loss of lubrication and deteriorating seals? We install only hi-temperature seals that are designed and tested to perform long term.

● **THE CORRECT LUBRICANTS ARE USED
TO PREVENT BEARING SEIZURE**

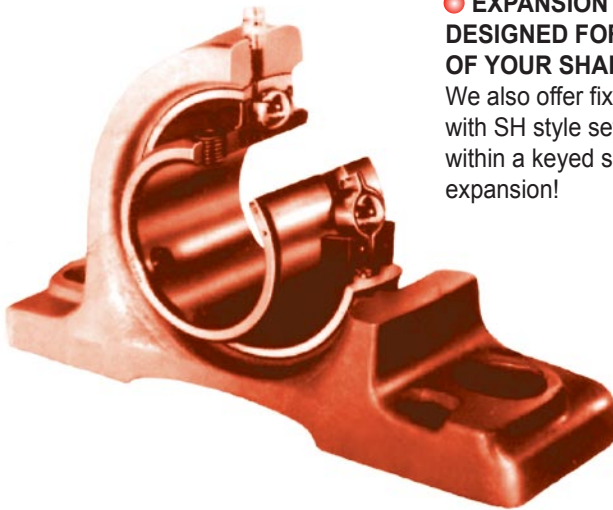
Our bearing units are pre-lubricated with greases that will remain self-lubricating in extremely high temperatures.

● **EXPANSION PILLOW BLOCK HOUSINGS
DESIGNED FOR LINEAR EXPANSION
OF YOUR SHAFT!**

We also offer fixed float applications with SH style set screws, positioned within a keyed shaft, to allow for expansion!

● **NEED HOUSINGS WITH PURGE PLUGS?**

Call us for a variety of housing styles with purge plugs on a made to order basis!



Need information on these AMI products? Call for your FREE copy and the name of your nearest distributor.



AMI Bearings, Inc.

570 North Wheeling Road • Mount Prospect, Illinois 60056 • PH: 800-882-8642 or FAX: 847-759-0630

Visit our website at: www.amibearings.com

© 2008, AMI Bearings, Inc. All Rights Reserved. Printed in USA 1/08

VISIT OUR WEB SITE AT WWW.CLARKTR.COM