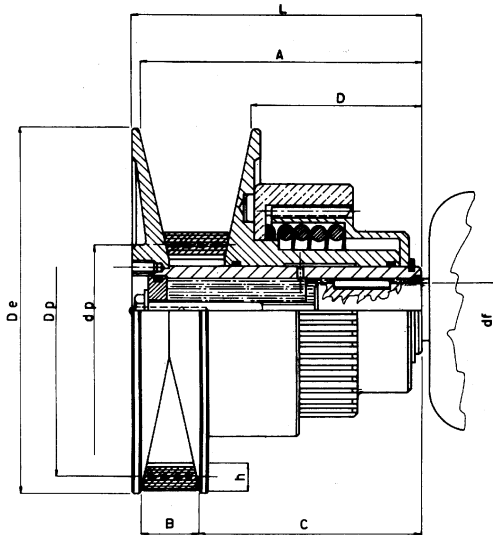
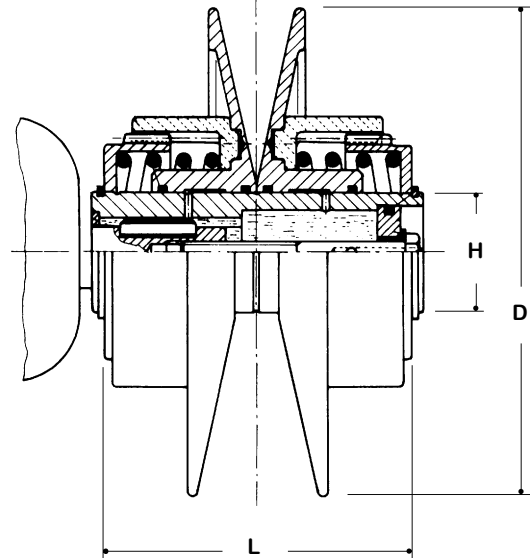


Metric Variable Speed Pulley

MONO (1:9 Ratio)



VAR (1:3 Ratio)



MONO Type Variable Speed Pulley (1:9 Ratio)

Model No.	Horse Power Transmitted			For Belt Size	Overall Dim.		Pitch Dia.		C minus D	Stock Bores*	Ratio/Range 1:	Weight kg
	@750 rpm	@1000 rpm	@1500 rpm		De	L	DP (max)	dP (min)				
MONO 100	0.25	0.33	0.50	13 x 5	100	73	97	39	10.0	mpb•10•11•12•14•16	2.49	0.88
MONO 130	0.37	0.50	0.75	22 x 8	130	102	126	48	17.5	mpb•12•14•16•18•19	2.63	1.96
MONO 160	0.75	1.00	1.50	28 x 8	160	114	155	55	22.0	mpb•14•16•18•19•22•24	2.82	3.62
MONO 190	1.75	2.30	3.50	37 x 10	190	147	184	66	29.0	mpb•18•19•22•24•25•28	2.79	5.80
MONO 240	2.75	3.65	5.50	46 x 13	240	160	233	73	40.0	mpb•22•24•25•28•32	3.19	

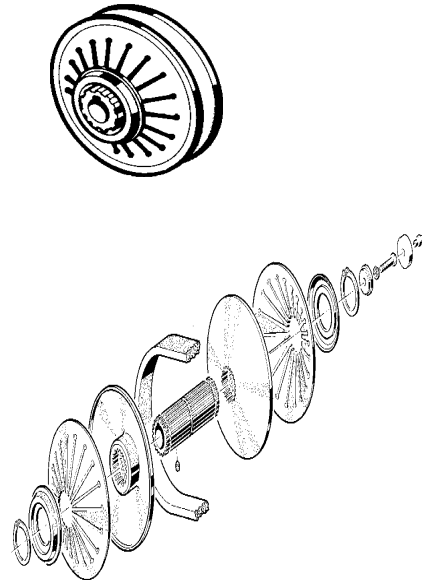
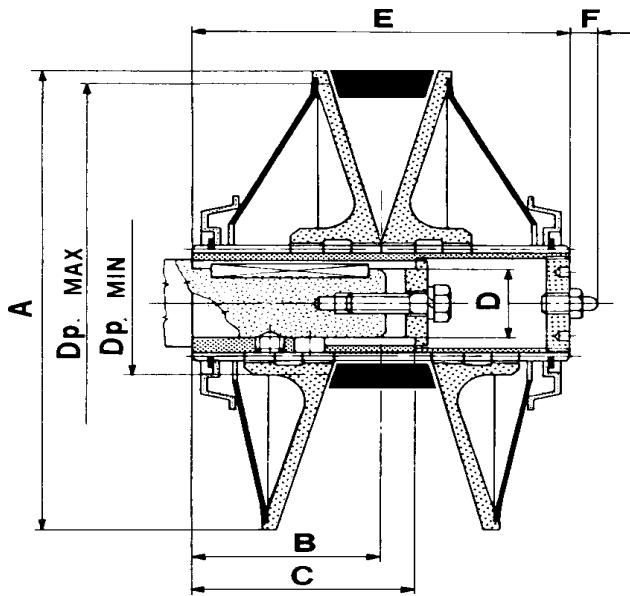
*Offered as MPB (+/- 1 mm), and also as listed bores with H7 tolerance with standard keyway. Not all bores available from stock. Please contact our Sales Team for specific information.

VAR Type Variable Speed Pulley (1:3 Ratio)

Model No.	Horse Power Transmitted				For Belt Size	Overall Dim.		Pitch Dia.		Hub Dia. H	Stock Bores*	Ratio/Range 1:	Weight kg
	@750 rpm	@1000 rpm	@1500 rpm	@3000 rpm		D	L	DP (max)	dP (min)				
VAR 100	0.25	0.33	0.50	1.00	13x6	100	65	97	37	23	11•12•14•16	2.61	0.90
VAR 130	0.37	0.50	0.75	1.50	22x8	130	88	126	46	27	14•18•19	2.73	1.69
VAR 160	0.75	1.00	1.50	3.00	28x10	160	115	155	60	34	18•19•22•24	2.58	3.25
VAR 190	1.75	2.30	3.50	7.00	36x12	190	131	184	65	39	19•22•24•25•28	2.83	4.85
VAR 240	2.75	3.65	5.50		46x13	240	170	233	72	43	24•25•28•32	3.22	8.60
VAR 300	5.00	6.60	10.00		54x16	300	200	292	91	54	32•38•42	3.21	15.00

*Bores are H7 tolerance with standard keyway. Not all bores available from stock. Please contact our Sales Team for specific information.

Metric Variable Speed Pulley



SIMPULLY™ Type Variable Speed Pulley

Model No.	HP @1,400rpm	kW	For Belt Size	A	B	C	Bores* D ^{h7}	Dp		E	F	kg
								Min.	Max.			
SIMP 90	0.25	0.18	13 X 6	90	30	35	11 - 14	38	87	60	8	0.8
SIMP 130	0.75	0.55	22 X 8	130	40	55	14 - 19	50	126	80	9	1.6
SIMP 160	2	1.5	27 X 8	160	50	70	19 - 24	58	156	100	9	2.9
SIMP 185	3	2.2	37 X 10	185	59	73	24 - 28	85	180	118	10	4.4
SIMP 225	5.5	4	47 X 12	225	75	85	24 - 28	94	219	150	10	7.5
SIMP 270	7.5	5.5	47 X 12	270	74	115	28 - 38	106	264	148	18	12.4
SIMP 310	12.5	9.5	55 X 16	310	90	150	38 - 42	122	302	180	20	18
SIMP 360	25	18.5	70 X 19	360	100	150	42 - 48	142	351	200	20	28

*Bores are H7 tolerance with standard keyway. Not all bores available from stock. Please contact our Sales Team for specific information.

Simpulley™ units are dynamically balanced to eliminate vibration at high speeds.

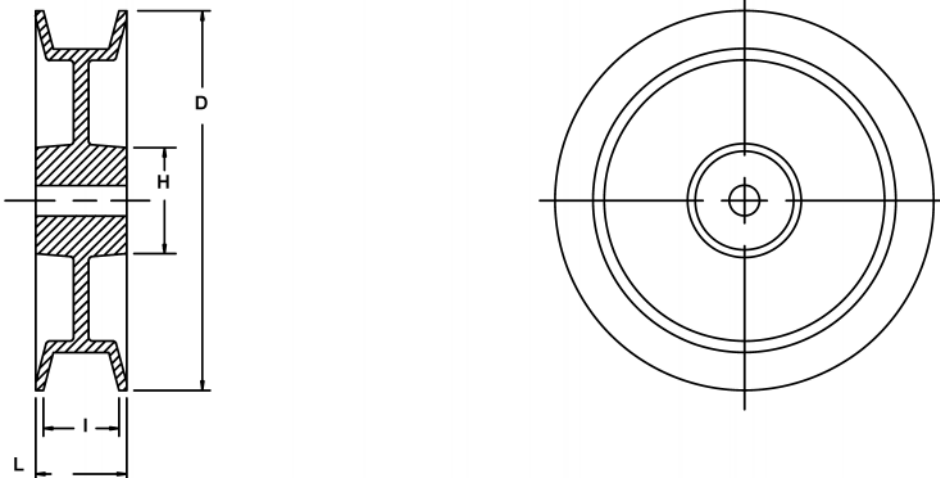
MAINTENANCE AND LUBRICATION

For proper operation, after assembly, fill chamber with grease (in the median position). Move pulley to distribute lubricant uniformly then recharge with additional grease. This procedure should be repeated every (500) running hours.

Screw not provided.

Metric Fixed Speed Companion Sheave

(For Variable Speed Belt Drives)

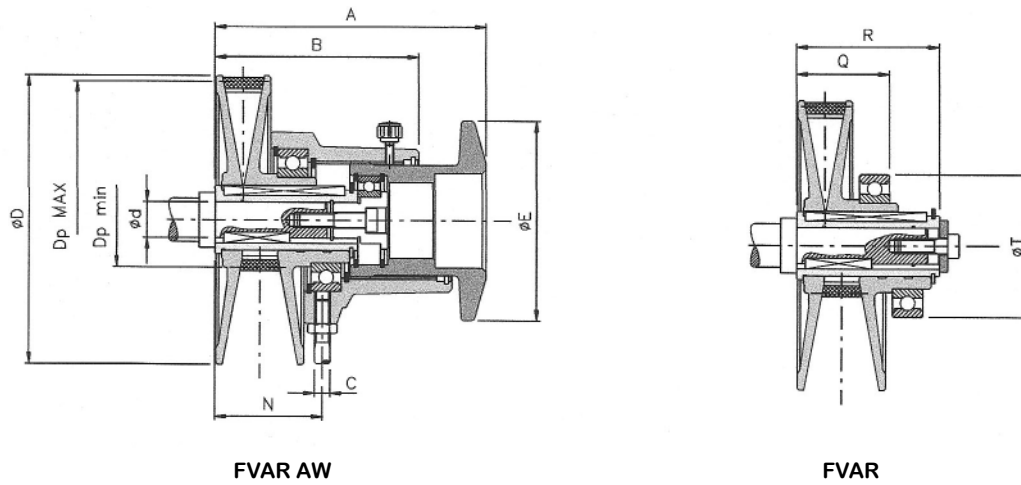


Model No.	F 130		F160		F190		F240		F300	
Recommended Belt Size	22x8		28x10		36x12		46x13		54x16	
I	22		28		36		46		54	
L	26		32		43		52		70	
Pitch Dia. DP	O.D. D	Hub Ø H	O.D. D	Hub Ø H	O.D. D	Hub Ø H	O.D. D	Hub Ø H	O.D. D	Hub Ø H
80	88	30	89	35						
90	98	38	99	38						
100	108	38	109	38						
112	120	42	121	42	122	50				
125	133	46	134	46	135	54				
140	148	48	149	48	150	54	153	55		
160	168	48	169	48	170	60	173	68		
170	178	55	179	55	180	62	183	70		
180	188	58	189	58	190	68	193	75	196	80
200	208	68	209	68	210	70	213	78	216	82
224	232	70	233	70	234	70	237	85	240	90
250	258	70	259	75	260	75	263	88	266	92
280	288	70	289	78	290	78	293	90	296	92
315	323	80	324	80	325	80	328	90	331	100
355	363	85	364	90	365	90	368	90	371	95
400			409	90	410	90	413	90	416	95
450					460	90	463	95	466	95
500							513	95	516	105

Fixed Speed Companion Sheaves are sold without starter holes or bores. The drawing indicates the proper location for a bore.

Part Number Example:
 300X250 300 = Model No. F300
 250 = Pitch Diameter

Manually Adjusted Variable Speed Pulley

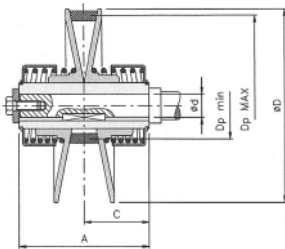


Pitch Dia. DP	FVAR AW											FVAR				Weight Kg	
	A	B		C	D	d H7 Bore		Dp		E	N		Q		R		T
		Min.	Max.			Standard	Max.	Min.	Max.		Min.	Max.	Min.	Max.			
90	109	83	93	8	90	14	20	40	87	90	42	52	46	56.5	60	68	1.8
110	129	99	113	8	110	14	19	20	38.5	107.5	47	61	54	68.5	72	68	2
120	130	101	117	8	120	14	19	20	41.5	117.5	44	60	52	67	72	68	2.2
130	143	107	125	8	130	14	19	22	48	126	38	56	48.5	66.5	72	75	3
160	157	115	139	8	160	19	24	25	50	156	45	69	55	79	90	80	3.8
200	183	134	165	8	195	24	28	30	62	190	57	87	65.5	96	105	90	6.1
225	199	141	180	8	225	28	38	30	66.5	218.5	65	104	72	112	120	90	7.8
270	253	174	213	12	270	28	38	42	80	263.5	84	124	79	118	130	115	14
300	268	181	228	12	300	38	42	42	84.5	292.5	92	139	90	137	150	115	16.5
330	283	188	243	12	330	38	42	92	320	160	99	154	92	148	160	115	22
360	322	223	284	12	360	42	48	50	105	350	138	199	120	183	195	130	24.8

Part Number Example:

FVAR AW 200X24 200 mm Pitch Dia. 24 mm Bore Model FVAR AW

Compact Variable Speed Pulley



Part Number	Nominal Pitch Dia.	A	C	D	d H7 Bore		Dp		Belt Section	Weight Kg	Ratio	
					Standard	Max.	Min.	Max.				
COMP 75	75	55	16	75	11	14	20	72	35	10x6	0.5	1/2
COMP 110	110	72	22.5	110	14	19	20	106	43	13x8	1	1/2.4
COMP 112	112	80	19.5	112	14	19	20	108	43	13x8	1.2	1/2.5
COMP 130	130	80	19.5	130	19	24	25	124.5	53.5	17x11	1.5	1/2.3

Part Number Example:

COMP 112X19 112 mm Pitch Dia. 19 mm Bore Model COMP